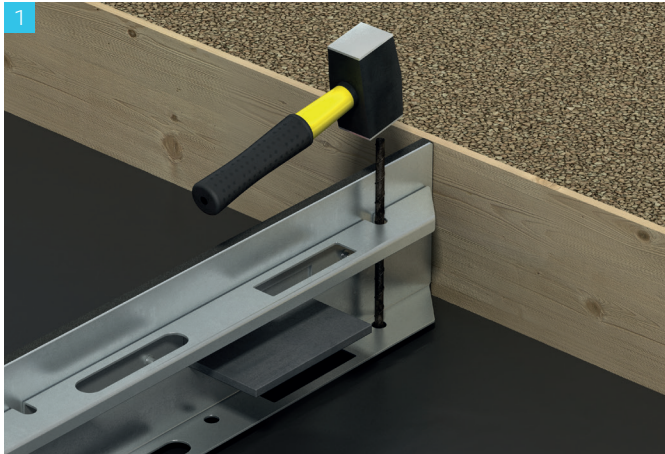




Installation Guide

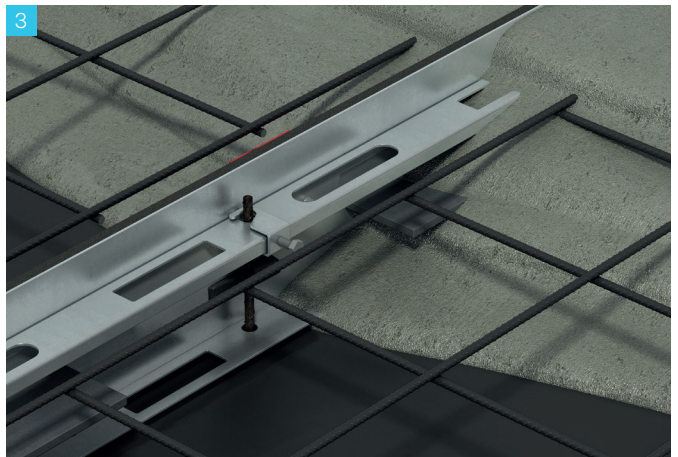
Isedio ExpansionJoint



1 Position the expansion joint profile in the desired location and drive in the supplied pegs. Ensure the top of the peg is at least 20mm below the joint top.



2 Adjust the profile to the correct height and secure by tapping in the supplied wedges and clamps



3 Place reinforcement and pour concrete evenly to both sides of the expansion joint at the same time. Finish surface and ensure top of joint is clear of any concrete.